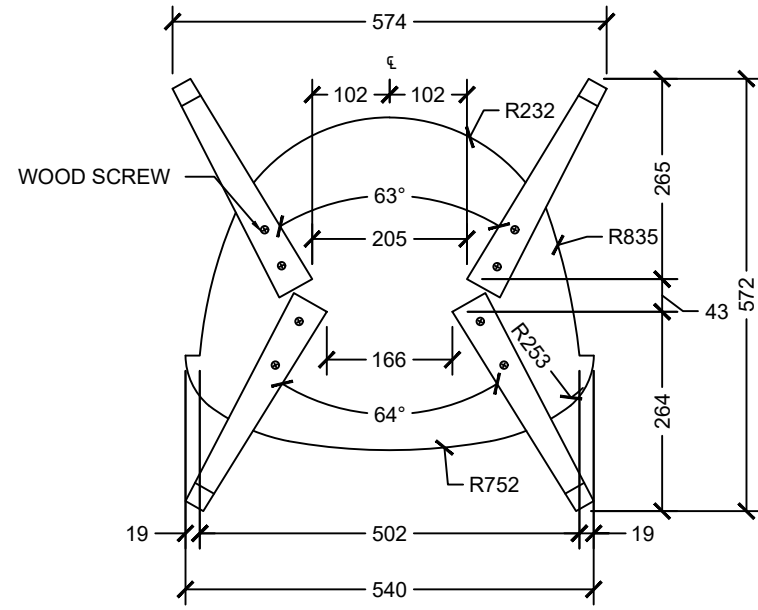
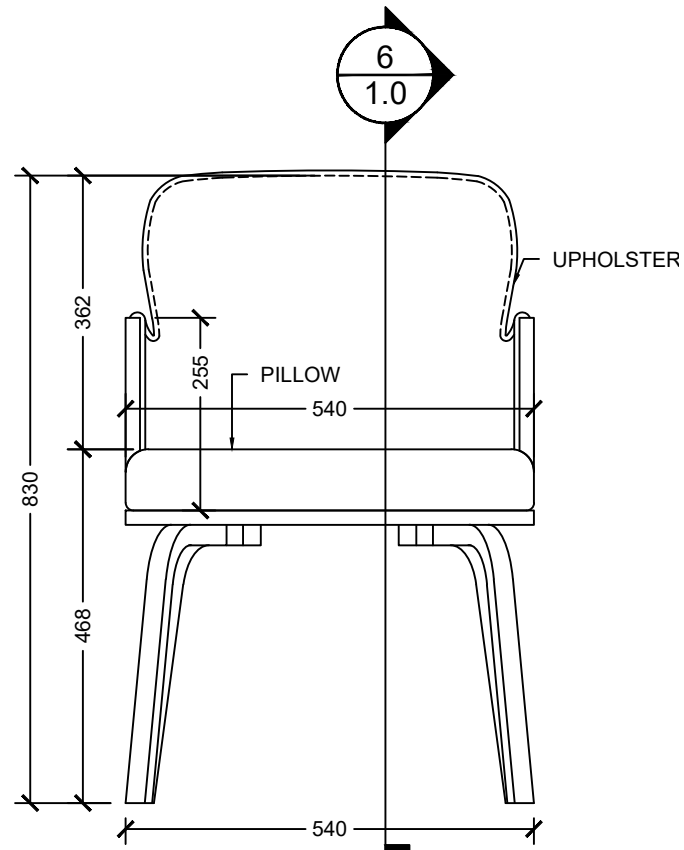


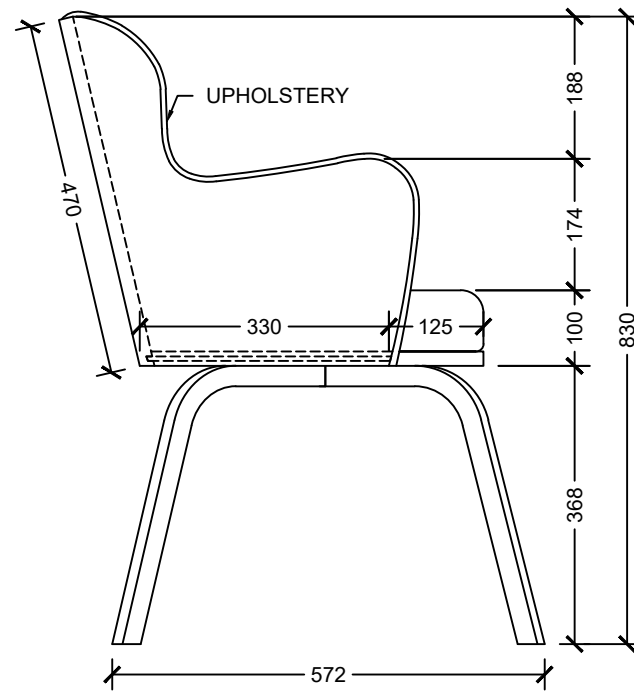
1 PLAN
SCALE: 1:10



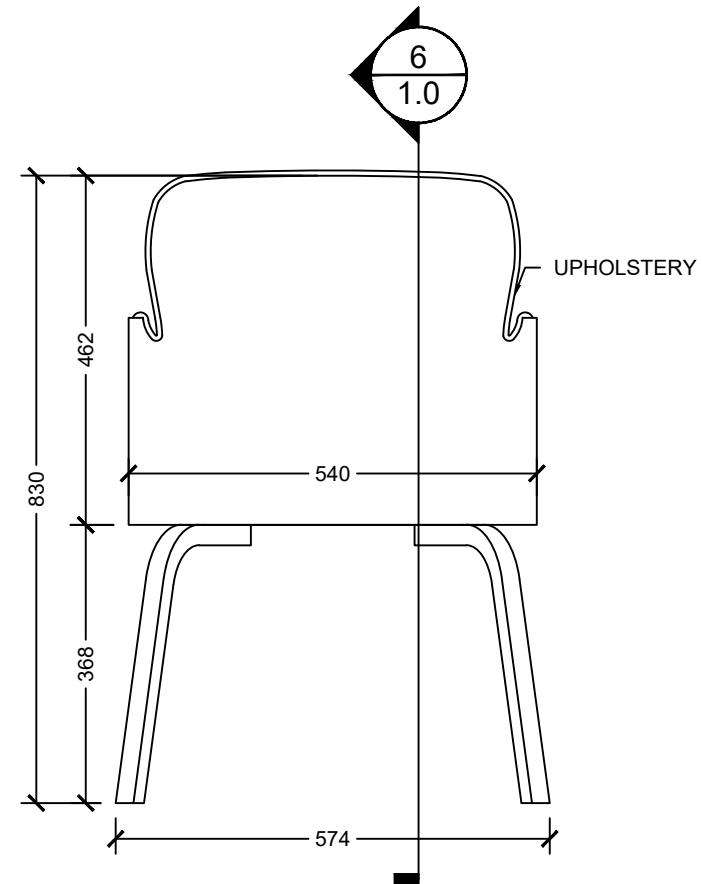
2 PLAN LEGS
SCALE: 1:10



3 ELEVATION
SCALE: 1:10



4 ELEVATION
SCALE: 1:10



5 ELEVATION
SCALE: 1:10

ADDRESS
ARIANESKÉ BV WESTERKADE
ROTTERDAM 19A 3016 CM
THE NETHERLANDS

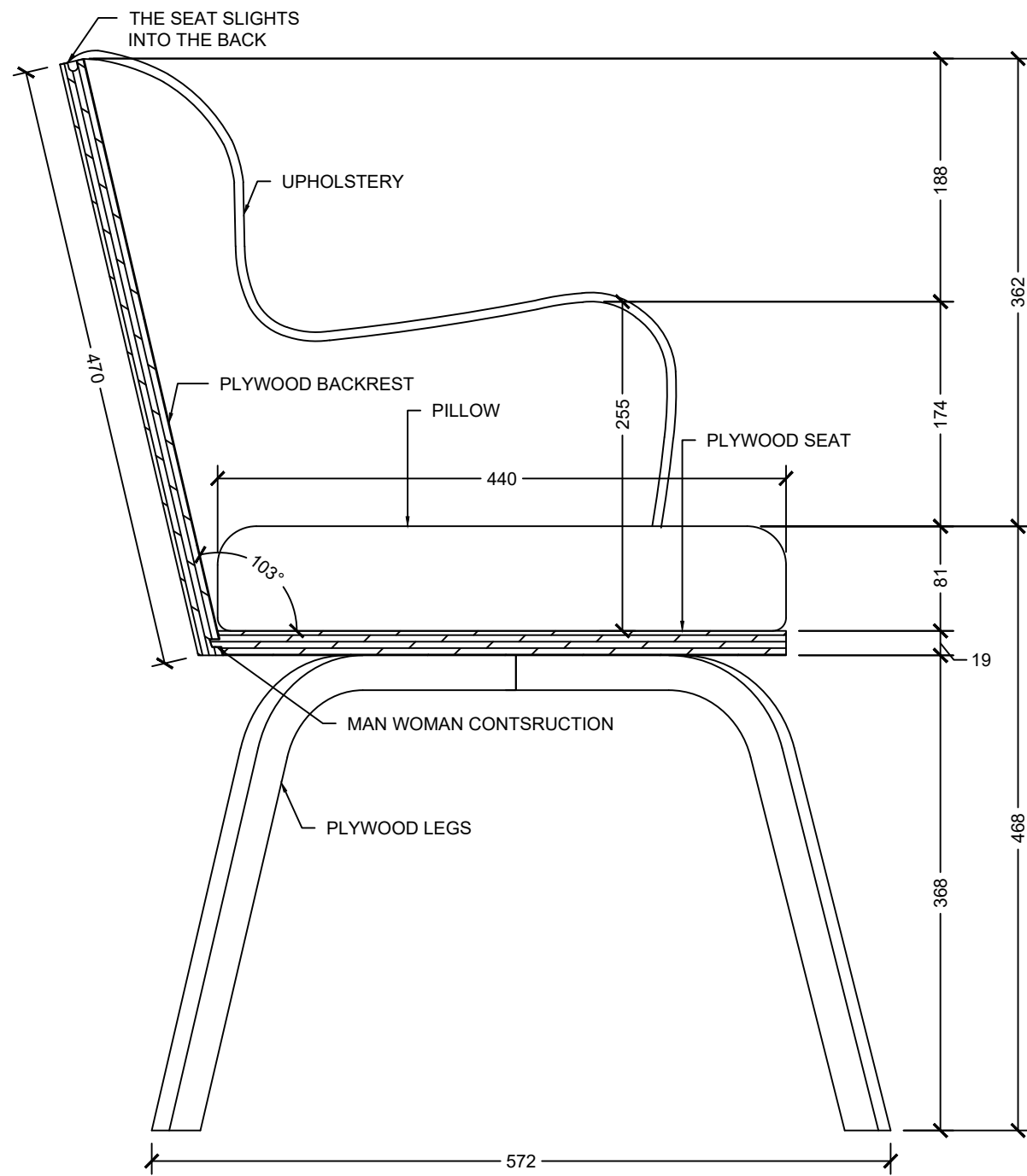
DRAWING NAME
BOOM ARM CHAIR U

PROJECT #

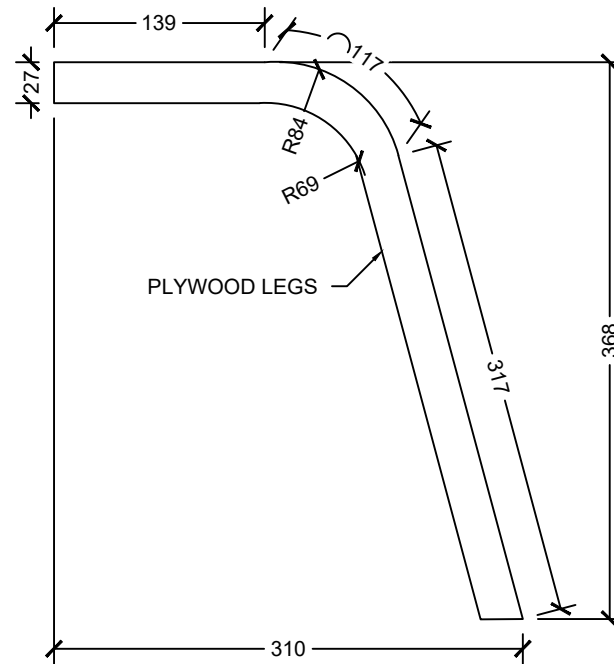
DATE
17.12.2019

DRAWN BY
M.Z.

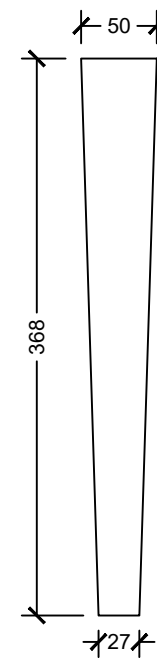
PAGE #
1.0



6
SECTION
1.1 SCALE: 1:5



7
LEG DETAIL
1.1 SCALE: 1:5



8
LEG FACE DETAIL
1.1 SCALE: 1:5

ADDRESS
 ARIANESKÉ BV WESTERKADE
 ROTTERDAM 19A 3016 CM
 THE NETHERLANDS

DRAWING NAME
 BOOM ARM CHAIR U

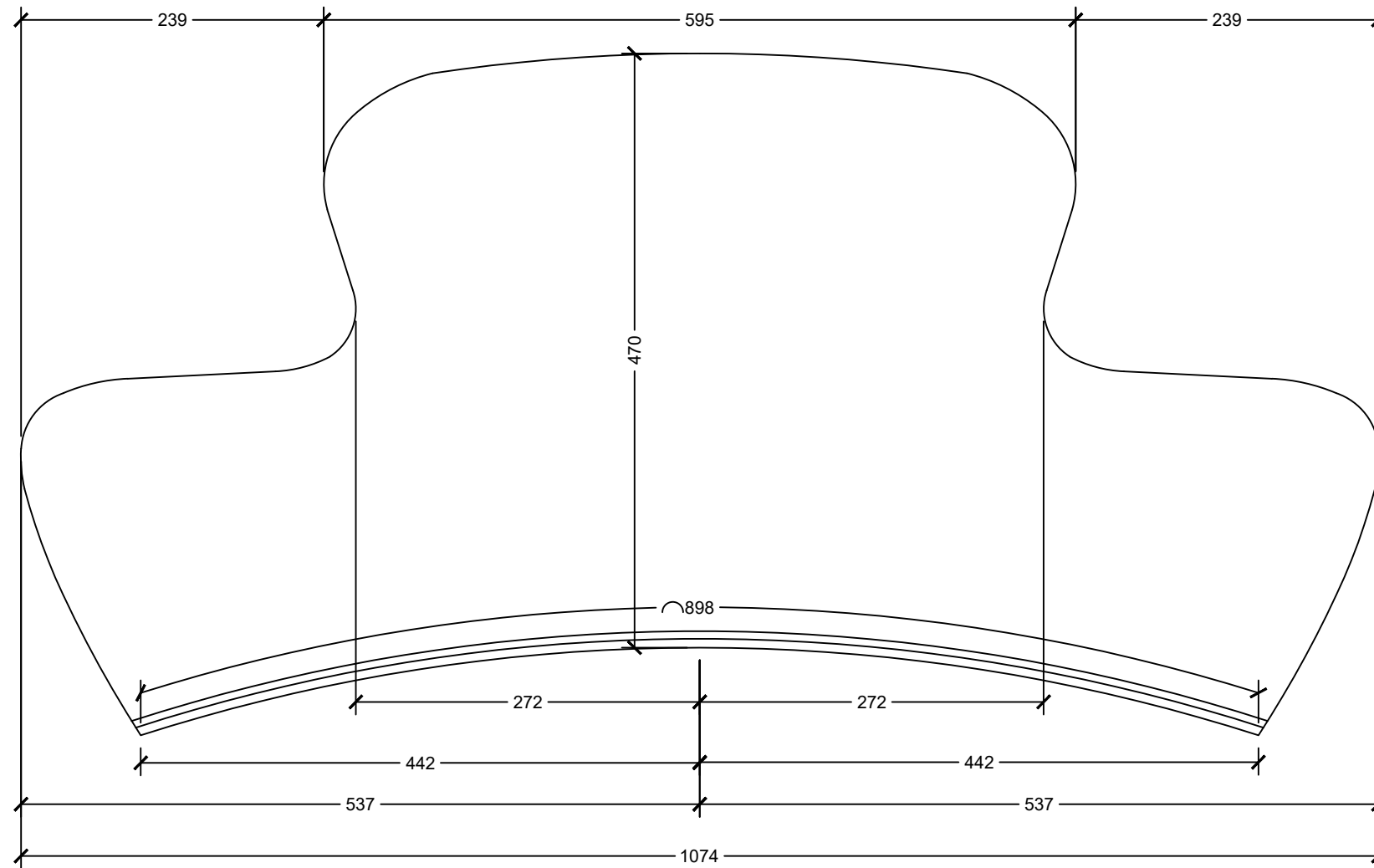
PROJECT #

-

DATE
 17.12.2019

DRAWN BY
 M.Z.

PAGE #
 1.1



9 PLANO DETAIL
1.2 SCALE: 1:5

ADDRESS
ARIANESKÉ BV WESTERKADE
ROTTERDAM 19A 3016 CM
THE NETHERLANDS

DRAWING NAME
BOOM ARM CHAIR U

PROJECT #
-

DATE
17.12.2019

DRAWN BY
M.Z.

PAGE #
1.2